

190-830-190 45" Snow Thrower (1987)  
Drive Assembly

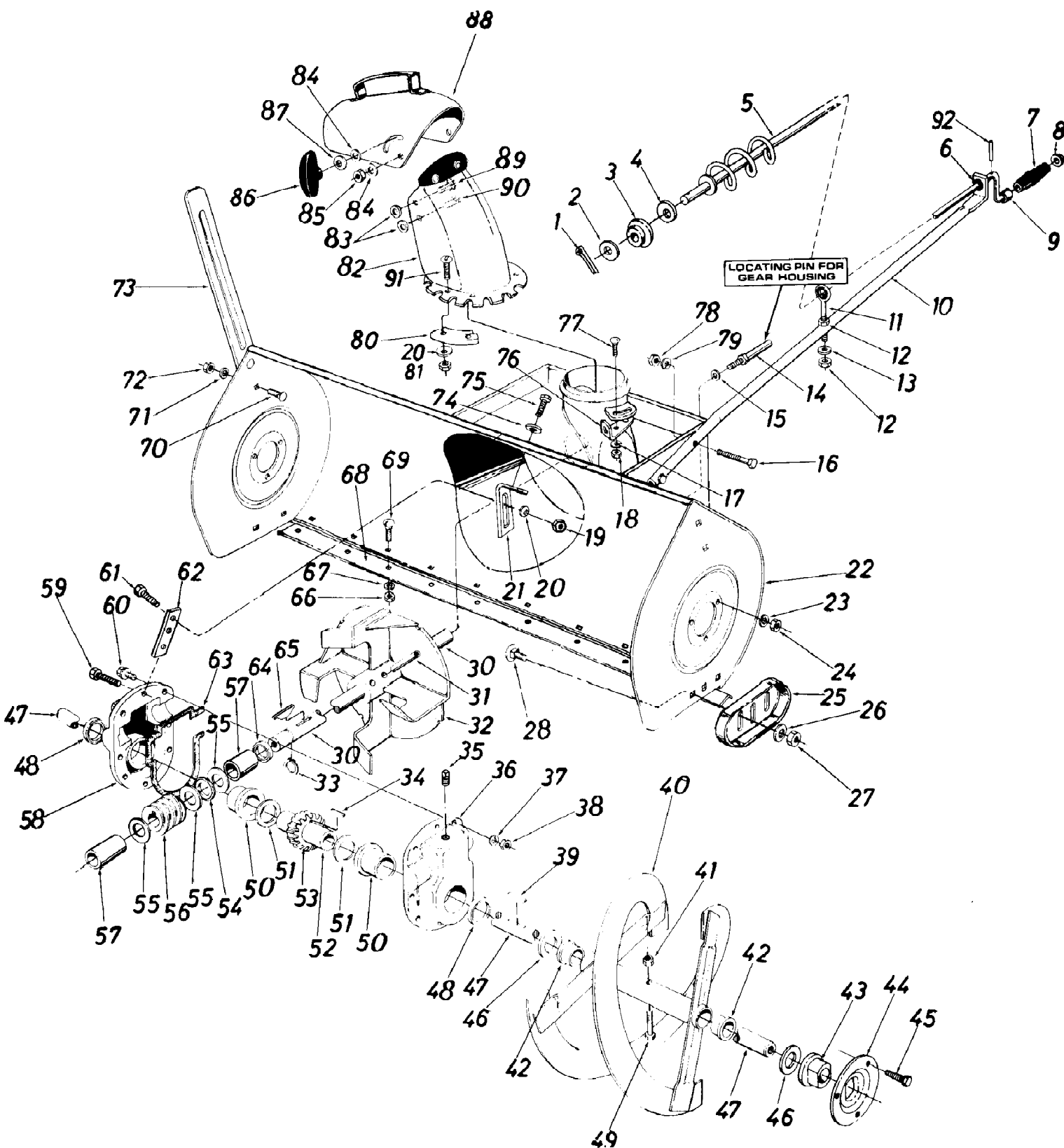
Page 2 of 6

Ref #	Part Number	Qty	S/P/F	Description
1	710-0698	1	/P	Hex Bolt 1/4-28 x 1.50"
2	711-0793	1		Clevis Pin Special 3/8" Dia. X 2.62" Lg.
3	714-0101	1	S	Inter. Cotter Pin 1/2" Dia.
4	736-0329	1	S	L.-Wash. 1/4" I.D.
5	712-0138	1	S	Hex Nut 1/4-28 Thd.
6	710-0591	1	/P	Hex Bolt 3/8-24 x 1.0" L. (Special )
7	710-0756	1		Hex Bolt 3/8-16 x 2.25" Lg.*
8	736-0169	1	S	L.-Wash. 3/8" I.D.*
9	736-0247	1	/P	L.-Wash. .39" I.D. x 1.25" O.D.
10	756-0438	1	S	5/8 V"-Pulley .790" I.D. x 6.50 O.D.
11	754-0229	1	S	"V"-Belt 1/2" x 52.0" Lg.
12	711-0747	1	S	Belt Guard Pin 1/4" Dia, x 1.68" Lg.
13	756-0405	1	/P	Fl.-Idler w/flanges 3.75" O.D.
14	711-0369	1	S	Spacer .385" I.D. x .630" O.D. x .760" Lg.
15	710-0624	1	/P	Hex Bolt 5/16-24 x 1.50" Lg. (Special
16	15296	1	S	Open Brg. Housing 1.85" I.D.
17	784-5146	1	S	Carriage Bracket
18	741-0919	1	S	Ball Brg..787" I.D. x 1.85" O.D.
19	750-0456	1	S	Spacer 1.0" O.D. x .790" I.D. x .350" Lg.
20	784-5148	1	S	Guide Bracket Ass'y.
21	784-5227	1		Belt Cover Ass'y.
22	784-5230	1		Belt Cover Brkt.
23	736-0169	1	S	L.-Wash. 3/8" I.D.*
24	712-0798	1	/P	Hex Nut 3/8-15 Thd.*
25	711-0775	1		Clevis Pin .50" Dia. x 2.75" Lg.
26	08253	1	S	Bearing Housing 1.85" I.D.
27	750-0660	1	S	Spacer .80" I.D. x 1.00" O.D. x .125" Lg.
28	714-0161	1	S	Hi-Pro-Key 3/16 x 5/8"
29	732-0492	1		Extension Spring 1.00" O.D. x 6.44" Lg.
30	710-0600	1	/P	Hex Wash. HD. Sf. Tap Scr. 5/16-24x .50" Lg.
31	710-0591	1	/P	Hex L.-Bolt 3/8-24 x 1.00" Lg.
32	736-0247	1	/P	Bell.-Wash. .400" I.D. x 1.25" O.D.
33	754-0295	1	S	"V"-Belt 1/2" Ax 112.0" Lg.
34	750-0668	1		Spacer .39" I.D. x .62" O.D. x 1.74" Lg.
35	756-0293	1	S	5/8" "V"-Belt Idler 4.00" O.D.
36	784-5204	1		Rear Hanger Brkt.-R.H.
37	784-5203	1	S	Rear Hanger Brkt.-L.H.
38	710-0382	1		Hex Bolt 1/2-13 x 5.00" Lg.*
39	756-0474	1		5/8" "V"-Pulley 1.00" I.D. x 7.50" O.D.
40	736-0921	1	S	L.-Wash. 1/2" I.D.*
41	712-0206	1	S	Hex Nut 1/2-13 Thd .*
42	756-0438	1	S	5/8" "V"-Pulley .79" I.D. x 6.5"
43	710-0591	1	/P	Hex Bolt 3/8-24 x 1.0" Lg. (Special )
44	738-0347	1	S	Shoulder Spacer .625" I.D.
45	736-0247	1	/P	Fl.-Wash. .400" I.D. x 1.25" O.D.
46	710-0118	1	S	Hex Bolt 5/16-18x .75" Lg.*
47	736-0242	1	/P	Bell.-Wash. .345" I.D. x .88" o b.
48	736-0247	1	/P	Fl.-Wash. .39" I.D. x 1.25" O.D.
49	712-0267	1	S	Hex Nut 5/16-18 Thd.*
50	717-0870	1		Comp. Chain Gear Box Ass'y.
51	05607	1		Gear Box Support Brkt.
52	732-0491	1		Extension Spring .87" Dia. x 6.00" Lg.
53	710-0521	1		Extension Spring 1.6 x 3.0" Lg. (Grade 8)

190-830-190 45" Snow Thrower (1987)  
Drive Assembly

Page 3 of 6

Ref #	Part Number	Qty	S/P/F	Description
54	784-5200	1		Idler Bracket Ass'y.
55	784-5211	1	S	Idler Support Brkt.
56	736-0267	1	S	Fl.-Wash. .385" I.D. x .87 O.D.
57	712-0116	1	S	Hex Ins. L.-Nut 3/8-24 Thd.
58	736-0247	1	/P	Fl.-Wash. .400" I.D. x 1.25" O.D. x .157 Thk.
59	710-0182	1	/P	Hex Bolt 1/2-13 x 3.00" Lg.*
60	750-0659	1		Sq. Tubing-2.0 x 43.0" Lg.
61	721-0158	1		Gasket
62	710-0521	1	/P	Hex Bolt 3/8-16 x 3.0" Lg. (Grade 8)
63	738-0680	1	S	Shaft-.787 " Dia. x 3.81 " Lg.
64	710-0644	1		Hex Bolt 3/8-16 x 3.25" Lg.*
65	712-0266	1	S	Hex Cent. L.-Jam Nut 3/8-16 Thd.
66	712-0138	1	S	Hex Nut 1/4-28 Thd.
67	736-0175	1	S	Spr.-Wash. .270" I.D. x .57" O.D.
68	717-0359	1		Gear Hsg. Half-L.H.
69	741-0131	1	S	Ball Brq. 1.00" I.D. x 2.00" O.D.
70	713-0346	1		11-2x .5 Pitch-Sprkit.ShaftAss'y.
71	750-0612	1		Spacer 1.00" I.D. x 1.18" O.D. x .440 Lg.
72	717-0360	1		Gear Hsg. Half-R.H.
73	710-0299	1		Hex Bolt 1/4-28 x 1.00" Lg. (Grade 5)
74	710-0591	1	/P	Hex L.-Bolt 3/8-24 x 1.00" Lg.
75	736-0247	1	/P	Bell.-Wash. .400" I.D. x 1.25" O.D.
76	721-0117	1	S	Oil Seal 1.25" x 1.75" O.D.
77	748-0194	1	/P	Flange Brg. 1.252" I.D.
78	736-0246	1	/P	Fl.-Wash. 1.25" I.D. x 2.00" O.D.
79	713-0348	1		DBL Sprkt. 19-2 Teeth x .500" Pitch
80	716-0116	1	/P	Snap Ring for 1.25" Dia. Shaft
81	738-0677	1		Gear Shaft 1.25" Dia. x 6.0" Lg.
82	714-0113	1	/P	#A Hi-Pro Key 1/4 x 7/8" Dia. l
83	713-0349	1		40-2 Chain 1/2" Pitch x 25 Links
	713-0152	1	S	Master Link #40 Type IV
84	712-0123	1	/P	Hex Nut 5/16-24 Thd.*
85	750-0535	1	S	Spacer .380" I.D. x .625" O.D. x .227" Lg.
86	736-0272	1	S	Fl.-Wash. .510" I.D. x 1.0" O.D.
87	714-0101	1	S	Inter. Cot.-Pin 1/2" Dia.
88	784-5202	1	S	Attaching Plate-Lift Linkage
89	05406	1	S	Belt Guard
90	14088	1	S	Spindle Spacer
91	712-0107	1	S	Hex Nut 1/4-20 Thd.
92	710-0514	1	/P	Hex Bolt 3/8-16 x 1.0" Lg.-Gr. 5
93	784-5147	1		Weight Box Ass'y.
94	711-0332	1	S	Lift Brkt. Pin
95	732-0388	1	S/F	Ext. Spring



Ref #	Part Number	Qty	S/P/F	Description
1	714-0507	1	S	Cotter Pin
2	736-0140	1	S	Fl.-Wash. .39" I.D. x .62" O.D.
3	741-0475	1	S	Plastic Bushing
4	736-0140	1	S	Fl.-Wash. .385" I.D. x .62" O.D.
5	05982	1		Chute Crank Ass'y.
6	741-0471	1	S	Plastic Bushing
7	720-0201	1	S	Knob (Black)
8	726-0100	1	S	Push Nut 3/8" Rod
9	750-0526	1		Spacer .385 I.D. x .50" I.D.
10	749-0230	1		Chute Crank Support Tubing
11	747-0416	1	S	Eyebolt
12	712-0267	1	S	Hex Nut 5/16-18 Thd.*
13	736-0242	1	/P	Bell.-Wash. .345" I.D. x .88" O.D.
14	711-0640	1	S	Stud 3/8-16 x 2.75" Lg.
15	736-0105	1	/P	Bell.-Wash. .400" I.D. x.88"-O.D.
16	710-0191	1	/P	Hex Bolt 3/8-24 x 1.25" Lg.*
17	736-0242	1	/P	Bell.-Wash. .345" I.D. x .88" O.D.
18	712-0267	1	S	Hex Nut 5/16-18 Thd.*
19	712-0138	1	S	Hex Nut 1/4-28 Thd.
20	736-0270	1	/P	Bell.-Wash. .265" I.D. x .75" O.D.
21	784-5076	1	S	Gear Housing Support Brkt.
22	784-5036	1		45" Snow Blower Housing Ass'y
23	736-0119	1	S	L.-Wash. 5/16" I.D. *
24	712-0267	1	S	Hex Nut 5/16-18 Thd.*
25	784-5038	1	S	Slide Shoe
26	736-0105	1	/P	Bell.-Wash. .400" I.D. x.88" O.D.
27	712-0342	1	/P	Hex Jam Nut 3/8-16 Thd.
28	710-0790	1	S	Carriage Bolt 3/8-16x .62" Lg.*
30	738-0679	1		Blower Axle .875" Dia. x 14.75" Lg.
31	715-0118	1	S	Spring Pin Spir. 5/16" Dia. x 1.75" Lg.
32	784-5145	1	S	Blower Fan Ass'y.
33	716-0111	1	/P	Snap Ring For .875" Dia. Shaft
34	714-0135	1	S	#91 Woodr-Key 1/4 x 3/4" Dia. (HDN)
35	737-0175	1		Vent Plug
36	717-0297	1	S	Comp. Gear Hsg. Half-L.H.
37	736-0271	1	S	Spr.-Wash. .32" I.D. x .62" O.D
38	712-0429	1	S	Hex Ins. L.-Nut 5/16-18 Thd.
39	714-0135	1	S	#91 Woodr-Key 1/4 x 3/4" Dia. (HDN)
40	05608	1	S	Spiral Ass'y. R.H. (Not Shown)
	05609	1	S	Spiral Ass'y. L.H.
41	712-0429	1	S	Hex Ins. L.-Nut 5/16-18 Thd.
42	05136	1		Plastic Bushing
43	741-0192	1		Flange Brg. w/flats 1" I.D.
44	05845	1	S	Bearing Housing
45	710-0198	1	S	Hex Sems Bolt 5/16-18 x .75" Lq. *
46	736-0250	1	/P	Fl.-Wash. 1.00" I.D. x 1.75" O.D.
47	738-0492	1		Spiral Axle
48	741-0182	1		Flange Bearing 1.503" I.D.
49	710-0891	1	/P	Shear Bolt 5/16-18 x 1.75" Lg.
50	721-0146	1	S	Oil Seal 1.50" I.D.
51	736-0266	1	S	Fl.-Wash.1.50" I.D. x2.00" O.D.
52	738-0275	1		Worm Gear Shaft
53	717-0300	1		Worm Gear-L. H.

190-830-190 45" Snow Thrower (1987)  
Thrower Assembly

Page 6 of 6

Ref #	Part Number	Qty	S/P/F	Description
54	741-0184	1		Thrust Brg.-.88" I.D. x 1.44" O.D.
55	736-0291	1	S	Fl.-Wash..88" I.D. x 1.4" O.D.
56	717-0299	1	S	Double Threaded Worm-L.H.
57	741-0217	1	S	Sleeve
58	717-0298	1	S	Complete Gear Hsg. Half-R.H.
59	710-0528	1	/P	Hex Bolt5/16-18x1.25" Lg.*
60	710-0376	1	/P	Hex Bolt 5/16-18 x 1.0" Lg. (Grade 5)
61	710-0412	1	/P	Hex Bolt 1/4-28 x .75" Lg.
62	784-5075	1		Gear Housing Support Plate
63	721-0144	1	S	Rubber Gasket
64	721-0145	1	S	Oil Seal-.875" I.D.
65	714-0126	1	S	#9 Hi-Pro Key 3/16 x 3/4" Dia. (HT.)
66	712-0267	1	S	Hex Nut 5/16-18 Thd.*
67	736-0119	1	S	L.-Wash. 5/16" I.D.*
68	05598	1	S	Shave Plate
69	710-0276	1	/P	Carriage Bolt 5/16-18 x 1.00" Lg. *
70	710-0260	1	S	Carriage Bolt 5/16-18 x .62"-Lg.*
71	736-0119	1	S	L.-Wash.5/16" I.D.*
72	712-0267	1	S	Hex Nut 5/16-18 Thd.*
73	05139	1	S	Guide Blade
74	736-0242	1	/P	Bell.-Wash. .345" I.D. x .88" O.D.
75	710-0726	1	/P	Hex Wash. Hd. AB Tap Scr 5/16 x .75" Lg.
76	784-5123	1	S	Chute Crank Brkt.
77	710-0451	1	/P	CarriageBolt5/16-18 x.75" Lg.*
78	712-0116	1	S	Hex Ins. L.-Nut3/8-24Thd.
79	736-0169	1	S	L.-Wash. 3/8" I.D.*
80	731-0851	1	S	Chute Flange Keeper
81	712-0107	1	S	Hex L-Nut 1/4-20 Thd.
82	784-5074	1	S	Chute Ass'y. w/Chute G uard
83	736-0179	1	S	Fl.-Wash. .285" I.D. x 1.25" O.D.
84	736-0242	1	/P	Bell.-Wash. .345" I.D. x .88" O.D.
85	712-0158	1	S	Hex Cent. L.-Nut 5/16-18 Thd.
86	09966	1	S	Knob Handle
87	736-0242	1	/P	Bell.-Wash. .345" I.D. x .88" O.D.
88	05225	1		Top Chute Ass'y.
89	710-0276	1	/P	Carriage Bolt 5/16-18 x 1.00" Lg.*
90	710-0260	1	S	Carriage Bolt 5/16-18 x .62" Lg.*
91	710-0255	1	S	Truss Mach. Scr. 1/4-20 x .75"
92	715-0138	1	S	Roll Pin .12 Dia. x .63"